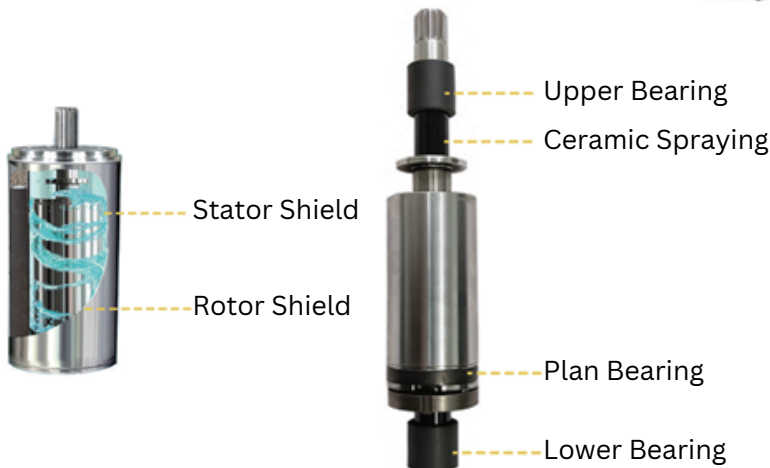


INTRODUCTION

OMNIPV provides the ideal solution for water supply in remote area for you. Our powerful solar submersible pumps deliver clean water with no energy cost as they solely consume electricity generated by solar panels. These pumps are designed and engineered specifically such that they are easy to use and require no maintenance, and accept electricity from the power grid when the renewable energy source is unstable/unavailable. Extra protection mechanisms also come along with our high-quality solar water pumps to ensure our customers' safety.

KEY FEATURES

- BLDC High Efficiency Motor
- Encapsulated Water Filled Motor (No Pollution Risk)
- Thrust Bearing System
- Prolonged System Life Under Soft Start Running
- Hybrid Powered by DC/AC (50Hz & 60Hz)
- Dry Protection (No Additional Float Sensor Required)
- Reverse Polarity Protection
- Over-Head Protection (Monitor and Flow Meter Required)
- 2 Years Warranty



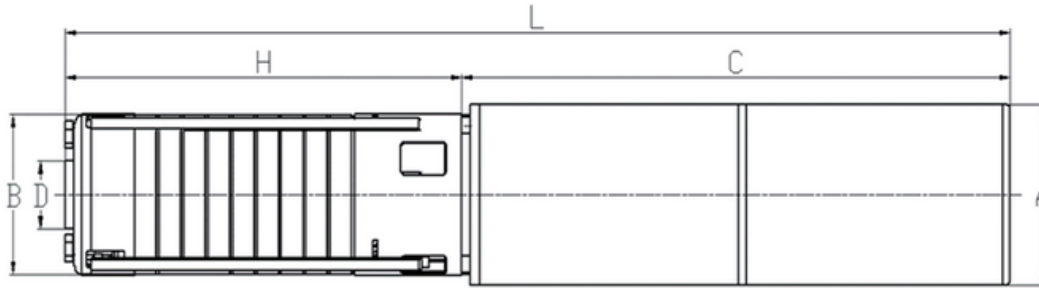
TECHNICAL PARAMETERS

Model	4SP3-18 (3HP AC&DC)
Recommended Solar Panel	3000 Wp (10 pcs × 300 W)
Water Temperature	77 °F (25 °C)
Dirt Loss	3%
Static Head	262.47 ft (80 m)
Head	Max. 606.96 ft (185 m)
Flow	Max. 26.42 gal/min (100 L/min)
Input Power	Max. 3 kW
Minimum Well Diameter	Min. 4 In
Pump Discharge	Rp 1.25 In
Controller	
Controller Type	Build-in
MPPT Efficiency	Max. 98%
Protection	Over Temperature/Over-load/Over-current/Over-voltage/Low-voltage/Losing-phase/Dry Protection
Motor	
Voltage	AC 90–240 V DC Max. Voc 440 V, Vmp 60–380 V
Current	AC Max. 10 A DC Max. 12 A
Motor Efficiency	Max. 88%
Insulation Class	F
Enclosure Class	IP X8
Submersion	Max. 492.13 ft (or 150 m)
Required Cooling Flow	Max. 0.21 gal/s (or 0.8 L/s)
Connect Standard	NEMA 4
Speed	500–4000
Pump End	
Material	Stainless Steel AISI 304 (316 optional)
Valve Type	Non-return Valve
Pump Type	Helical Pump

* AC/DC switching needs 1 minute.

* Voc refers to the voltage (V) under open circuit (nothing connected); Vmp refers to the voltage (V) under maximum power point under load. Exceeding the limits may cause serious harm or irreparable damage.

DIMENSIONS AND WEIGHTS

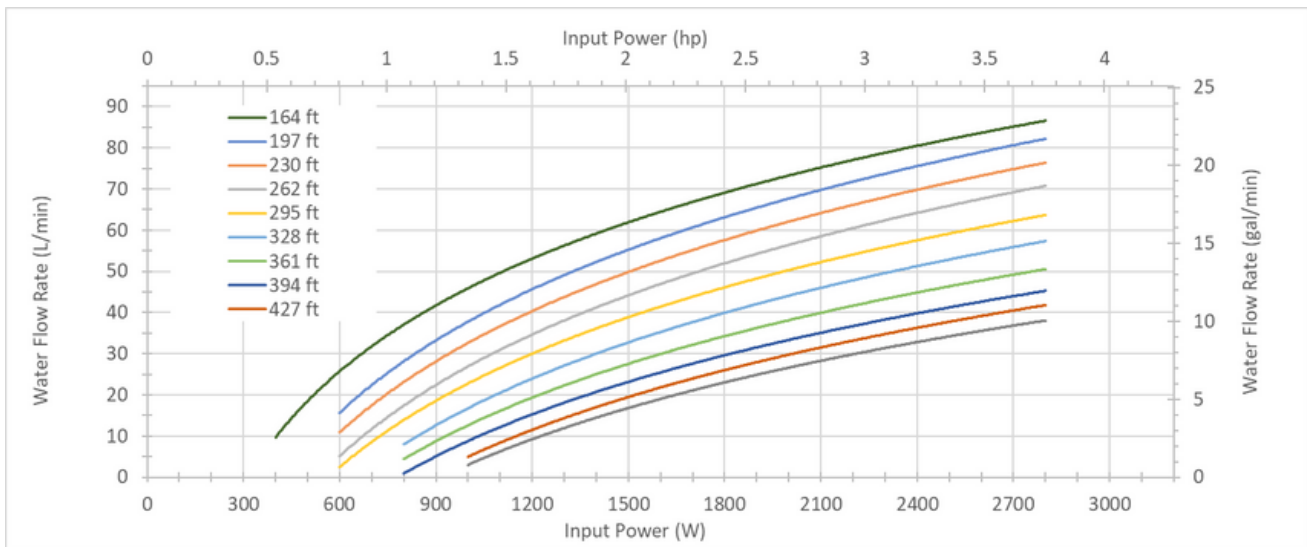


	A	B	C	H	L	D
Dimension (Inch)	3.90	3.54	24.41	20.94	45.35	1.25

Pump Unit	Motor	Pump End	Package Unit	Package Volume
39.68 lbs (or 18 kg)	27.56 lbs (or 12.5 kg)	12.13 lbs (or 5.5 kg)	49.60 lbs (or 22.5 kg)	48.03*6.30*7.87 Inch

** The size and weight information may be changed, please confirm with the factory. **

PUMP CHART



SOLAR PANEL WIRING

